

PROJECT	DESIGNATION
1701512	1701512
CONTRACT	BRIDGE FILE
B-42245	N/A

CULVERT ASSETS	
Des. No.	Culvert Asset ID
1701512	CV 114-037-21.00

KIN PROJECT INFORMATION					
DESIGNATION	PROJECT DESCRIPTION				
	Work Type	Route	Location	Feature Crossed	County
1700044	Small Structure Pipe Lining	US 231	2.34 mi N of SR 14	Comer Ditch	Jasper County
1700046	Small Structure Pipe Lining	US 231	0.87 mi N of SR 110	Schatzley Ditch	Jasper County
1700103 (LEAD)	Bridge Replacement, Concrete	US 421	3.50 mi S of SR 16	Hoagland Ditch	White County
1700123	Small Structure - New	SR 14	1.50 mi E of US 231	UNT to Oliver Ditch	Jasper County
1701329	Small Structure Replacement	SR 49	4.60 mi S of SR 10	Barnard Ditch	Jasper County
1701475	Small Structure Replacement	US 231	at CR 400N	Bruner Ditch	Jasper County
1701493	Small Structure Replacement	SR 114	2.09 mi W of Jct of US 421	Rosendall Ditch	Jasper County
1701506	Small Structure Replacement	SR 14	0.73 mi E of US 231	Jungels-Lakin Ditch	Jasper County
1701508	Small Structure Replacement	SR 14	1.07 mi W of US 231	Lakin, Ross Ditch	Jasper County
1701512	Small Structure Replacement	SR 114	1.09 mi E of Jct of US 231	School House Ditch	Jasper County

# INDIANA DEPARTMENT OF TRANSPORTATION



## ROAD PLANS

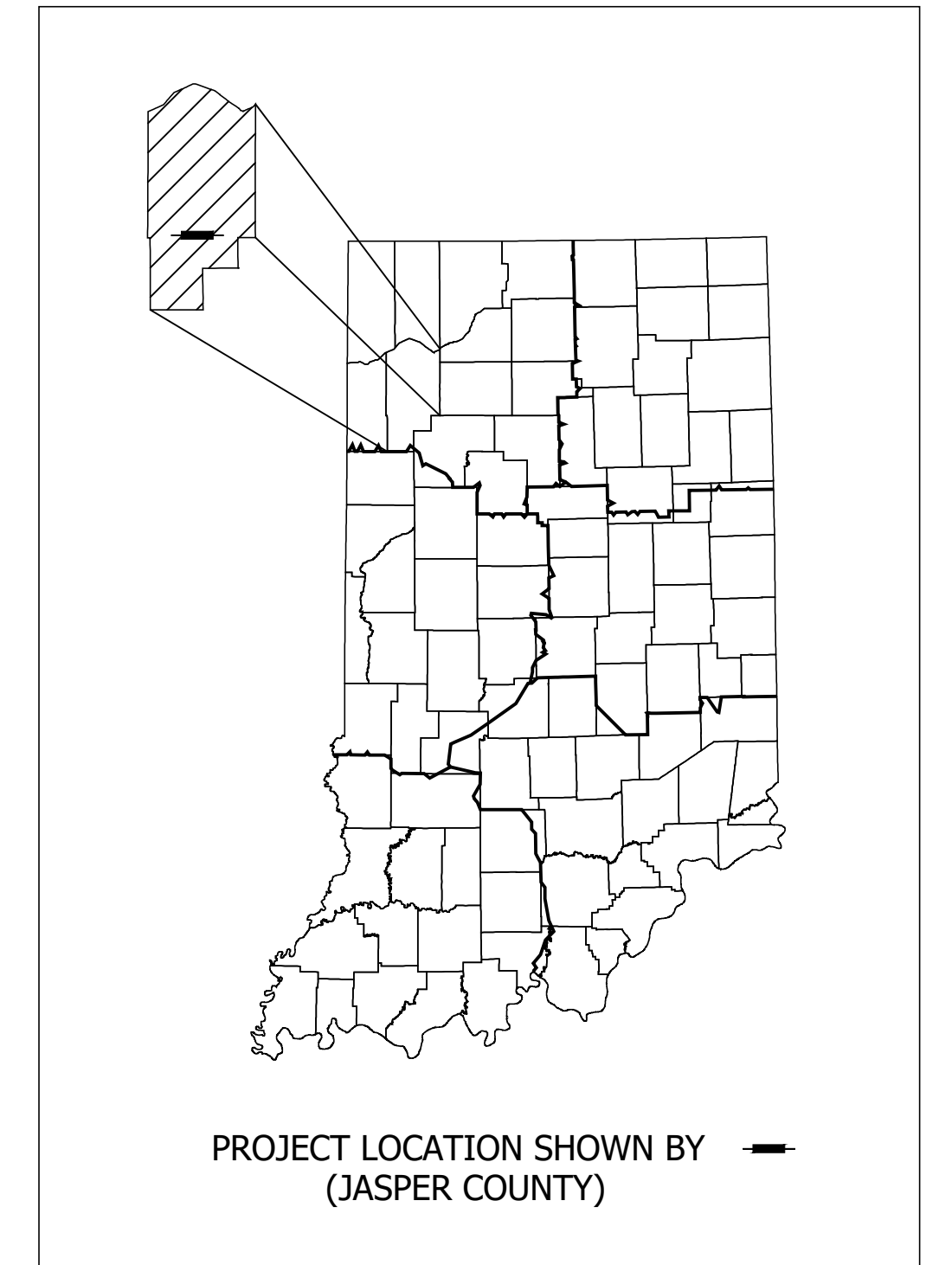
ROUTE: SR 114 FROM: RP 21+00 TO: RP 21+00

PROJECT NO. 1701512 P.E.  
1701512 R/W  
1701512 CONST.

PROJECT DESCRIPTION: Small Structure Replacement along SR 114 approximately 1.09 miles East of US 231 in Section 29, Township 29N, Range 6W, Marion Township, Jasper County, Indiana.

TRAFFIC DATA		
A.A.D.T.	(2022)	4,911 V.P.D.
A.A.D.T.	(2042)	4,911 V.P.D.
D.H.V	(2042)	563 V.P.H.
DIRECTIONAL DISTRIBUTION		50 %
TRUCKS		16.17% A.A.D.T. 14.39% D.H.V.

DESIGN DATA	
DESIGN SPEED	45 M.P.H.
PROJECT DESIGN CRITERIA	3R (NON-FREEWAY)
FUNCTIONAL CLASSIFICATION	MINOR ARTERIAL
RURAL/URBAN	RURAL
TERRAIN	LEVEL
ACCESS CONTROL	NONE

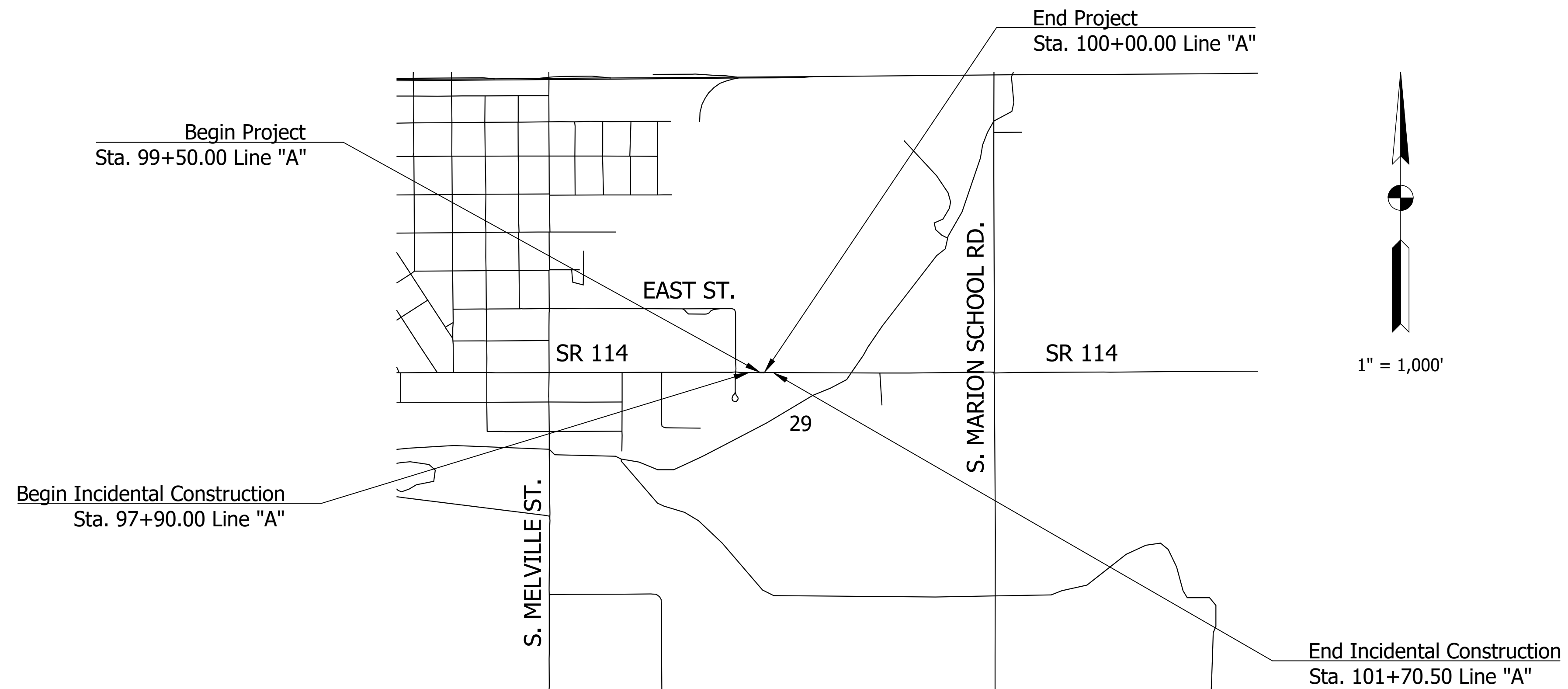


LATITUDE: 87°07'55" N LONGITUDE: 40°56'00" W

BRIDGE LENGTH:	0	MI.
ROADWAY LENGTH:	0.01	MI.
TOTAL LENGTH:	0.01	MI.
MAX. GRADE:	0.31%	%
HUC 14 CODE	7120002020060	

STAGE 2 PLANS  
3/13/2020

RIGHT-OF-WAY REQUIRED  
FOR THIS PROJECT



LOCATION MAP  
JASPER COUNTY

INDIANA DEPARTMENT OF TRANSPORTATION  
STANDARD SPECIFICATIONS DATED 2018  
TO BE USED WITH THESE PLANS

Date: Mar 13, 2020, 9:03am User Name: ENMassey  
File: S:\L\_2017\17-03721\_VP\Road\CAD\Misc\DWG\Title Sheet.dwg



PLANS PREPARED BY: LOCHMUELLER GROUP, INC. (574) 334-5460 PHONE NUMBER

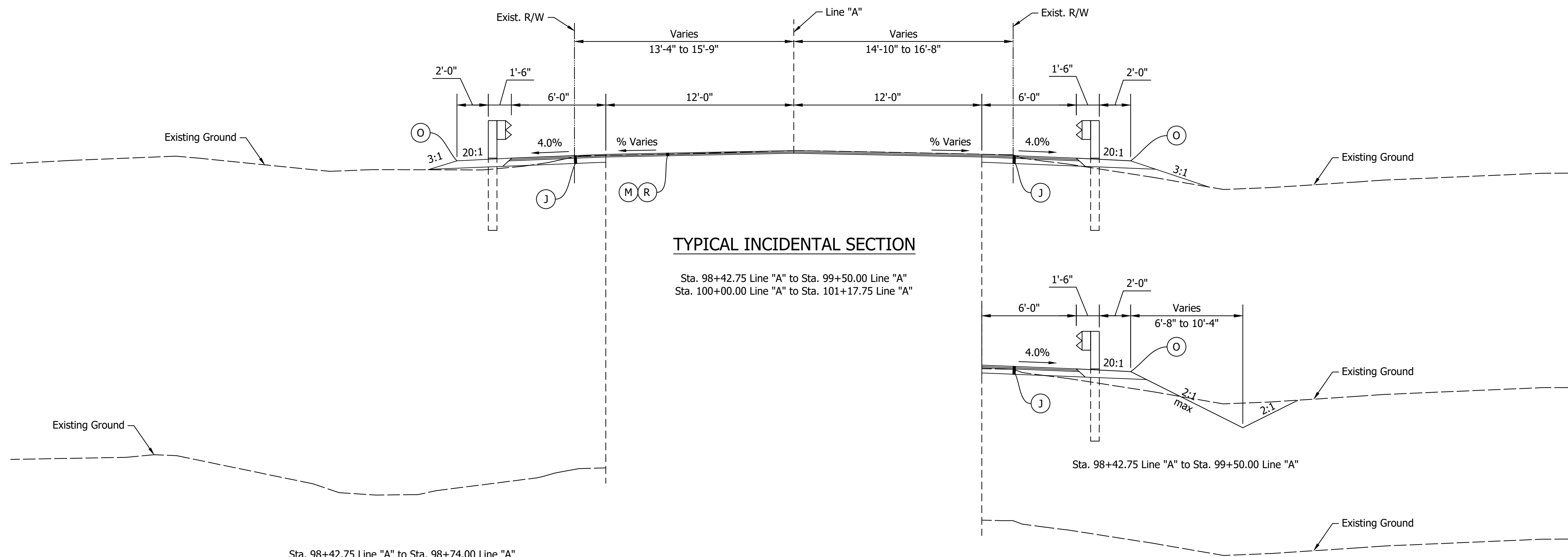
CERTIFIED BY: \_\_\_\_\_ DATE

APPROVED FOR LETTING: \_\_\_\_\_ DATE

INDIANA DEPARTMENT OF TRANSPORTATION

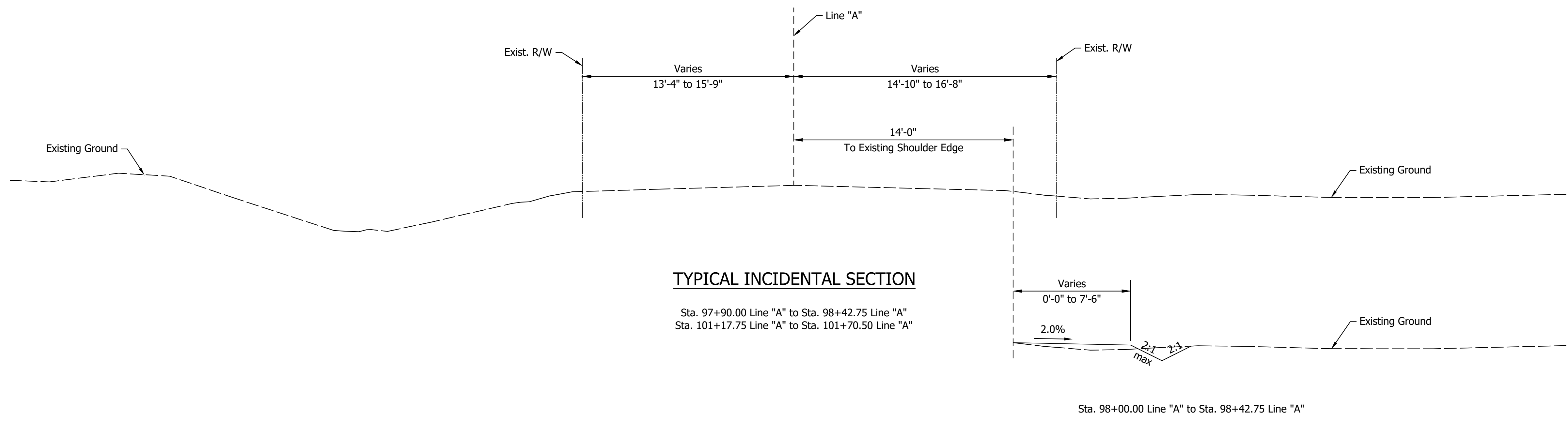
BRIDGE FILE	
N/A	
DESIGNATION	
1701512	
SURVEY BOOK	SHEETS
ELECTRONIC	1 of 15
CONTRACT	PROJECT
B-42245	1701512





**TYPICAL INCIDENTAL SECTION**

Sta. 98+42.75 Line "A" to Sta. 99+50.00 Line "A"  
Sta. 100+00.00 Line "A" to Sta. 101+17.75 Line "A"



**TYPICAL INCIDENTAL SECTION**

Sta. 97+90.00 Line "A" to Sta. 98+42.75 Line "A"  
Sta. 101+17.75 Line "A" to Sta. 101+70.50 Line "A"

- (J) Pavement Design Will Be Determined After Completion Of Geotechnical Report
- (M) Milling, Asphalt, 1 1/2"
- (O) Compacted Aggregate, No. 53

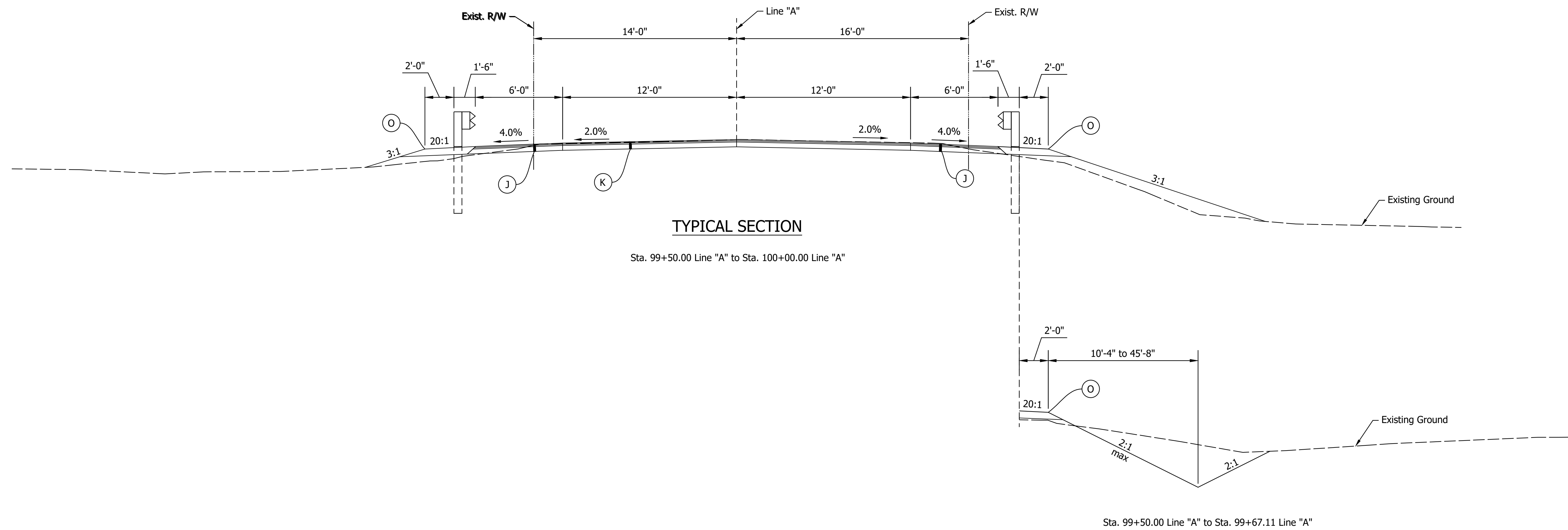
(R) QC/QA-HMA, 3, 64, Surface, 9.5mm

RECOMMENDED FOR APPROVAL	DESIGN ENGINEER	DATE
DESIGNED: EMM	DRAWN: JDT	
CHECKED: BKA	CHECKED: BKA	

INDIANA DEPARTMENT OF TRANSPORTATION

TYPICAL CROSS SECTIONS

HORIZONTAL SCALE	BRIDGE FILE
1/4" = 1'-0"	N/A
VERTICAL SCALE	DESIGNATION
1/4" = 1'-0"	1701512
SURVEY BOOK	SHEETS
ELECTRONIC	3 of 15
CONTRACT	PROJECT
B-42245	1701512



**TYPICAL SECTION**

Sta. 99+50.00 Line "A" to Sta. 100+00.00 Line "A"

Sta. 99+50.00 Line "A" to Sta. 99+67.11 Line "A"

Date: Mar 13, 2020, 9:04am User Name: EMassey  
 File: S:\2017\17-0372\_LV\Road\CAD\Misc\DWG\Typical Section.dwg

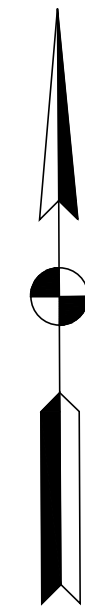
- J Pavement Design Will Be Determined After Completion Of Geotechnical Report
- K Pavement Design Will Be Determined After Completion Of Geotechnical Report
- O Compacted Aggregate, No. 53

RECOMMENDED FOR APPROVAL	DESIGN ENGINEER	DATE
DESIGNED: EMM	DRAWN: JDT	
CHECKED: BKA	CHECKED: BKA	

INDIANA  
 DEPARTMENT OF TRANSPORTATION

**TYPICAL CROSS SECTIONS**

HORIZONTAL SCALE	BRIDGE FILE
1/4" = 1'-0"	N/A
VERTICAL SCALE	DESIGNATION
1/4" = 1'-0"	1701512
SURVEY BOOK	SHEETS
ELECTRONIC	4 of 15
CONTRACT	PROJECT
B-42245	1701512



94+00 95+00 96+00 97+00 98+00 99+00 100+00 101+00 102+00 103+00 104+00 105+00

RENSELAER CENTRAL SCHOOLS CORPORATION

LAIRD SCAPE LLC

SEC. 29, T29, R6  
MARION TWP.  
JASPER CO.

LAIRD SCAPE LLC

Begin Project  
P.O.T. 99+50.00 "A"

End Project  
P.O.T. 100+00.00 "A"

App. Exist. R/W App. Exist. R/W App. Exist. R/W App. Exist. R/W

Temp. R/W

Temp. R/W

R/W

R/W

Temp. R/W

Temp. R/W

Temp. R/W

SWARTZELL,  
DOUGLAS L  
& JANE ANN  
TRUST

IROQUOIS VALLEY  
AN INDIANA  
LIMITED PARTNERSHIP

RENSELAER  
CENTRAL  
SCHOOLS  
CORPORATION

SAYLER, R BRUCE & MARIANNE

1/2 Sec. Line

1/2 Sec. Line

1/2 Sec. Line

1/2 Sec. Line

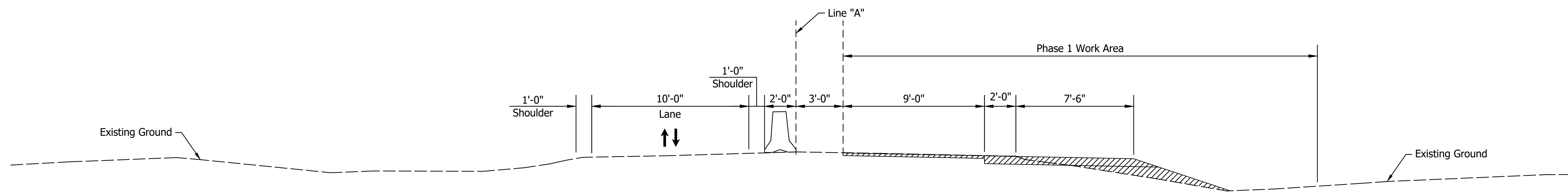
Date: Mar 13, 2020, 9:05am User Name: EMassey  
File: S:\\_2017\17117-03721\_VP1\Road\CAD\Misc\DWG\Plat No 1.dwg

RECOMMENDED FOR APPROVAL _____	DESIGN ENGINEER _____	DATE --/--
DESIGNED: EMM	DRAWN: JDT	
CHECKED: BKA	CHECKED: BKA	

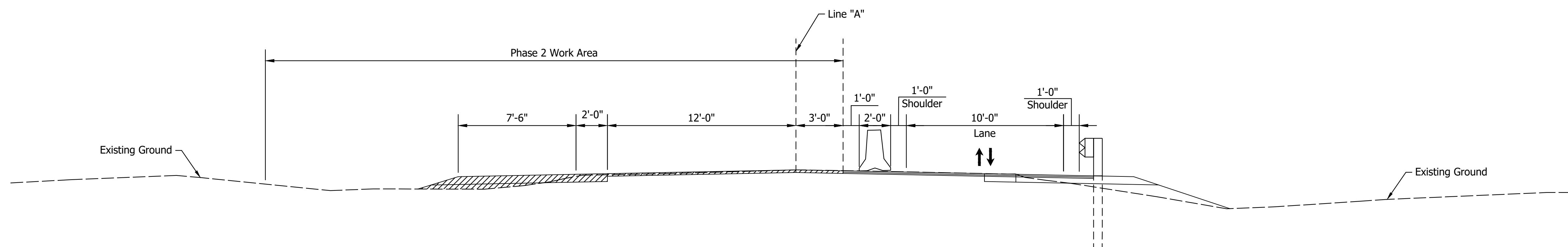
INDIANA  
DEPARTMENT OF TRANSPORTATION

PLAT NO. 1

HORIZONTAL SCALE	BRIDGE FILE
1" = 100'	N/A
VERTICAL SCALE	DESIGNATION
N/A	1701512
SURVEY BOOK	SHEETS
ELECTRONIC	5 of 15
CONTRACT	PROJECT
B-42245	1701512



TYPICAL CONSTRUCTION SECTION - PHASE 1



TYPICAL CONSTRUCTION SECTION - PHASE 2

Date: Mar 13, 2020, 9:05am User Name: EMassey  
 File: S:\\_2017\171217-0372\_LVH\Road\CAD\MOT\MOT Typical Section.dwg

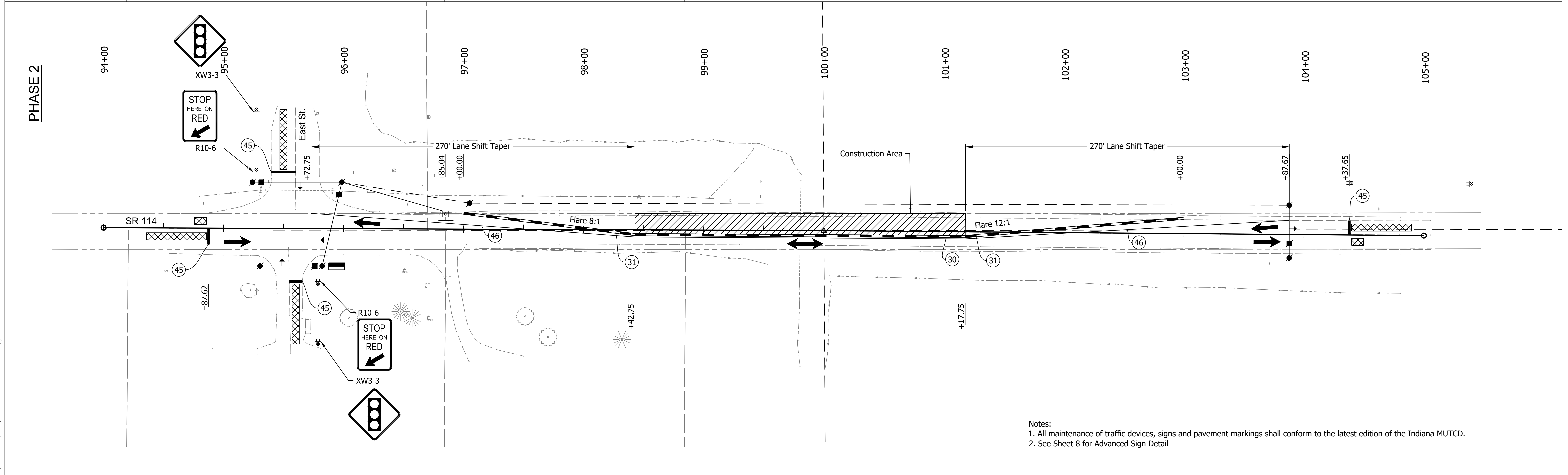
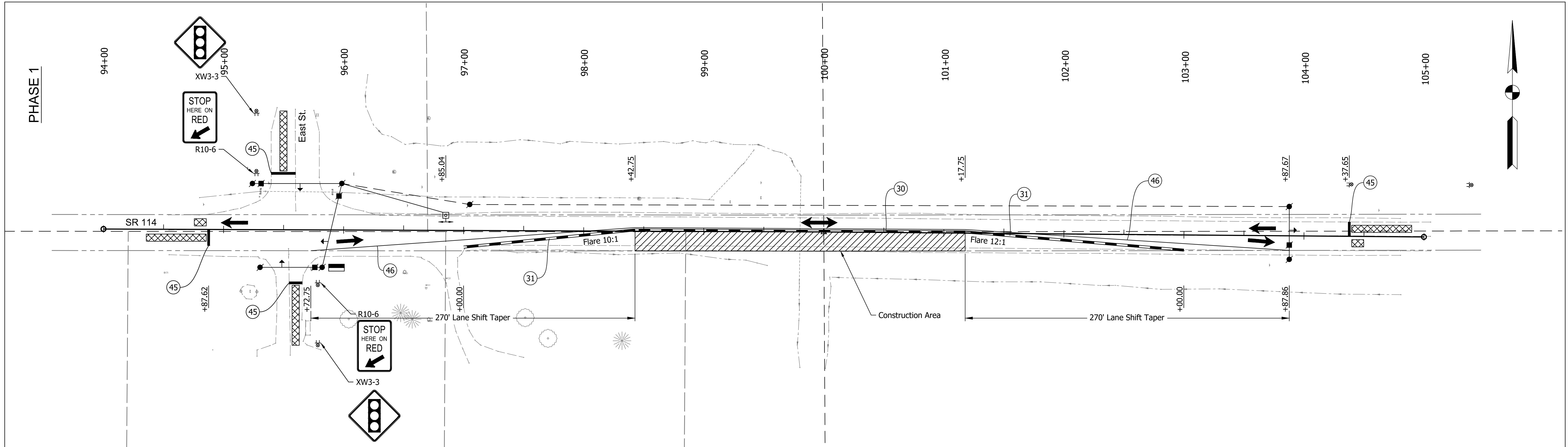
RECOMMENDED FOR APPROVAL _____	DESIGN ENGINEER _____	DATE ____/____/____
DESIGNED: EMM	DRAWN: JDT	
CHECKED: BKA	CHECKED: BKA	

INDIANA  
DEPARTMENT OF TRANSPORTATION

**MAINTENANCE OF TRAFFIC  
TYPICAL CROSS SECTIONS**

HORIZONTAL SCALE	BRIDGE FILE
1/4" = 1'-0"	N/A
VERTICAL SCALE	DESIGNATION
N/A	1701512
SURVEY BOOK	SHEETS
ELECTRONIC	6 of 15
CONTRACT	PROJECT
B-42245	1701512

Date: Mar 13, 2020, 9:06am User Name: EMossey  
 File: S:\2017\1717-0372\1717\Road\CAD\M015 Maintenance of Traffic.dwg



Notes:  
 1. All maintenance of traffic devices, signs and pavement markings shall conform to the latest edition of the Indiana MUTCD.  
 2. See Sheet 8 for Advanced Sign Detail

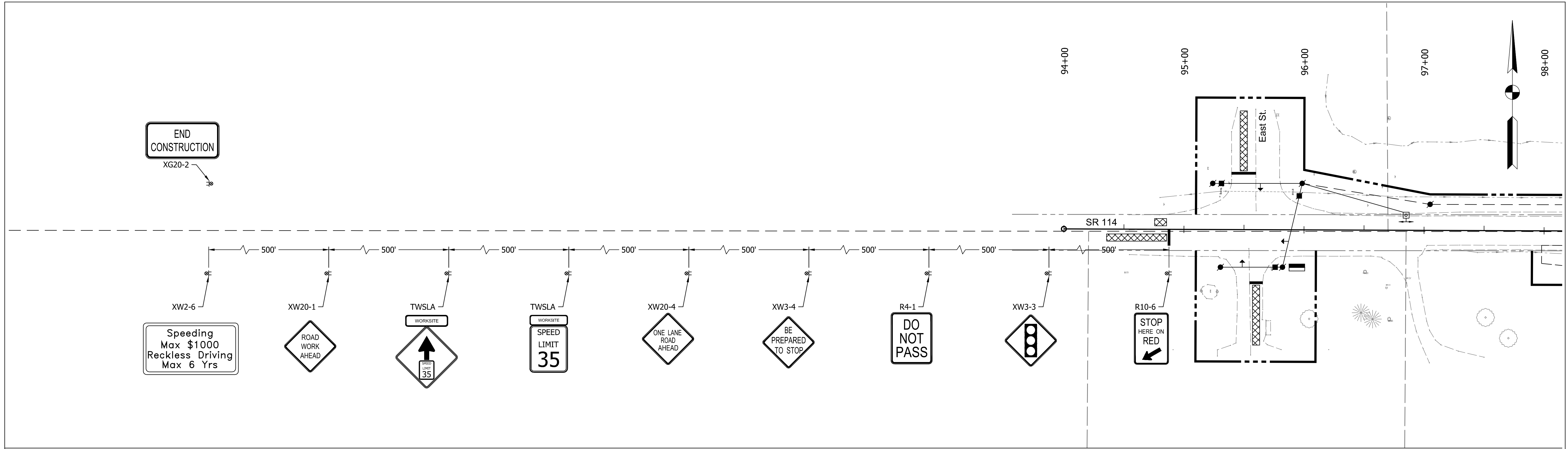
● Temporary Wood Pole	⊠ Detection Zone	(30) Temporary Traffic Barrier, Anchored, Type 2
■ Disconnect Hanger	⊡ Driveway Assistance Device	(31) Temporary Traffic Barrier, Type 2
← Traffic Signal Head	➔ Direction of Traffic	(45) Temporary Pavement Markings, Stop Line, 24 inch, Removable
■ Temporary Traffic Controller	⊠ Construction Sign with Type B Construction Warning Lights	(46) Temporary Pavement Markings, Line, Solid White, 4 inch, Removable

RECOMMENDED FOR APPROVAL	DESIGN ENGINEER	DATE
DESIGNED: EMM	DRAWN: JDT	
CHECKED: BKA	CHECKED: BKA	

INDIANA  
 DEPARTMENT OF TRANSPORTATION

**MAINTENANCE OF TRAFFIC  
 PHASES 1 & 2**

HORIZONTAL SCALE 1" = 40'	BRIDGE FILE N/A
VERTICAL SCALE N/A	DESIGNATION 1701512
SURVEY BOOK ELECTRONIC	SHEETS 7 of 15
CONTRACT B-42245	PROJECT 1701512



Note:  
Advanced Sign Detail is shown for eastbound direction. Signs are reversed for westbound direction.

Date: Mar 13, 2020, 9:06am User Name: EMossey  
File: S:\2017\217-0372\1711\Road\CAD\M015 Maintenance of Traffic.dwg

- Temporary Wood Pole
- Disconnect Hanger
- ← Traffic Signal Head
- ▬ Temporary Traffic Controller
- ▨ Detection Zone
- Driveway Assistance Device
- ➔ Direction of Traffic
- ⊗ Construction Sign with Type B Construction Warning Lights

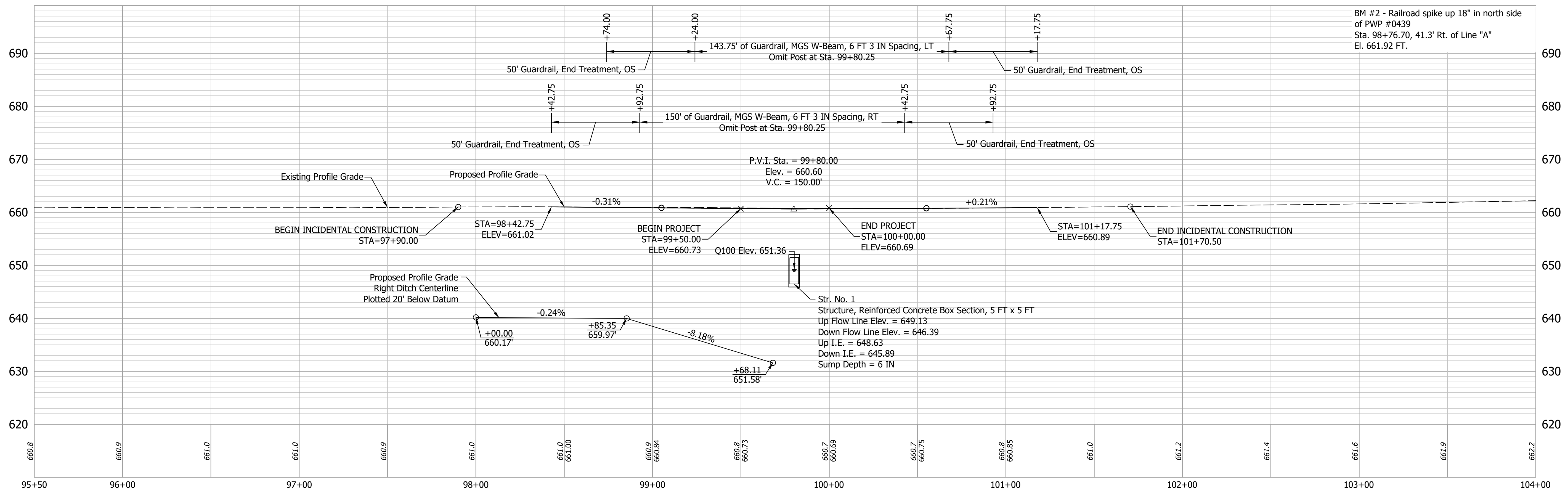
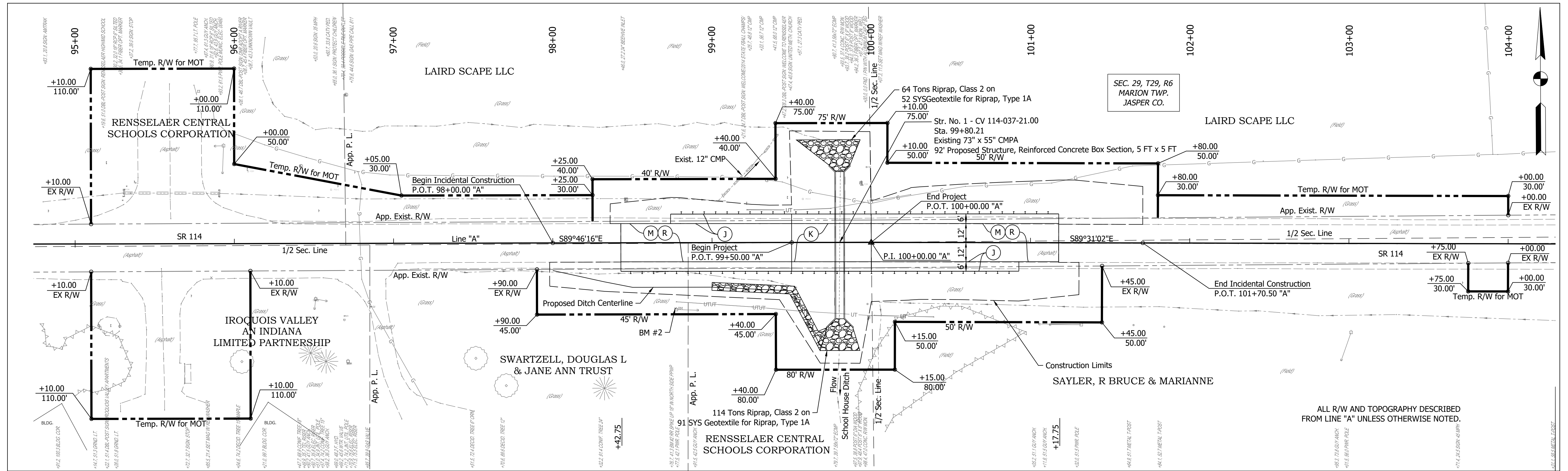
RECOMMENDED FOR APPROVAL	DESIGN ENGINEER	DATE
DESIGNED: EMM	DRAWN: JDT	
CHECKED: BKA	CHECKED: BKA	

**INDIANA  
DEPARTMENT OF TRANSPORTATION**

**MAINTENANCE OF TRAFFIC  
ADVANCED SIGN DETAIL**

HORIZONTAL SCALE	BRIDGE FILE
1" = 40'	N/A
VERTICAL SCALE	DESIGNATION
N/A	1701512
SURVEY BOOK	SHEETS
ELECTRONIC	8 of 15
CONTRACT	PROJECT
B-42245	1701512





- (J) Pavement Design Will Be Determined After Completion Of Geotechnical Report
- (K) Pavement Design Will Be Determined After Completion Of Geotechnical Report
- (M) Milling, Asphalt, 1 1/2"

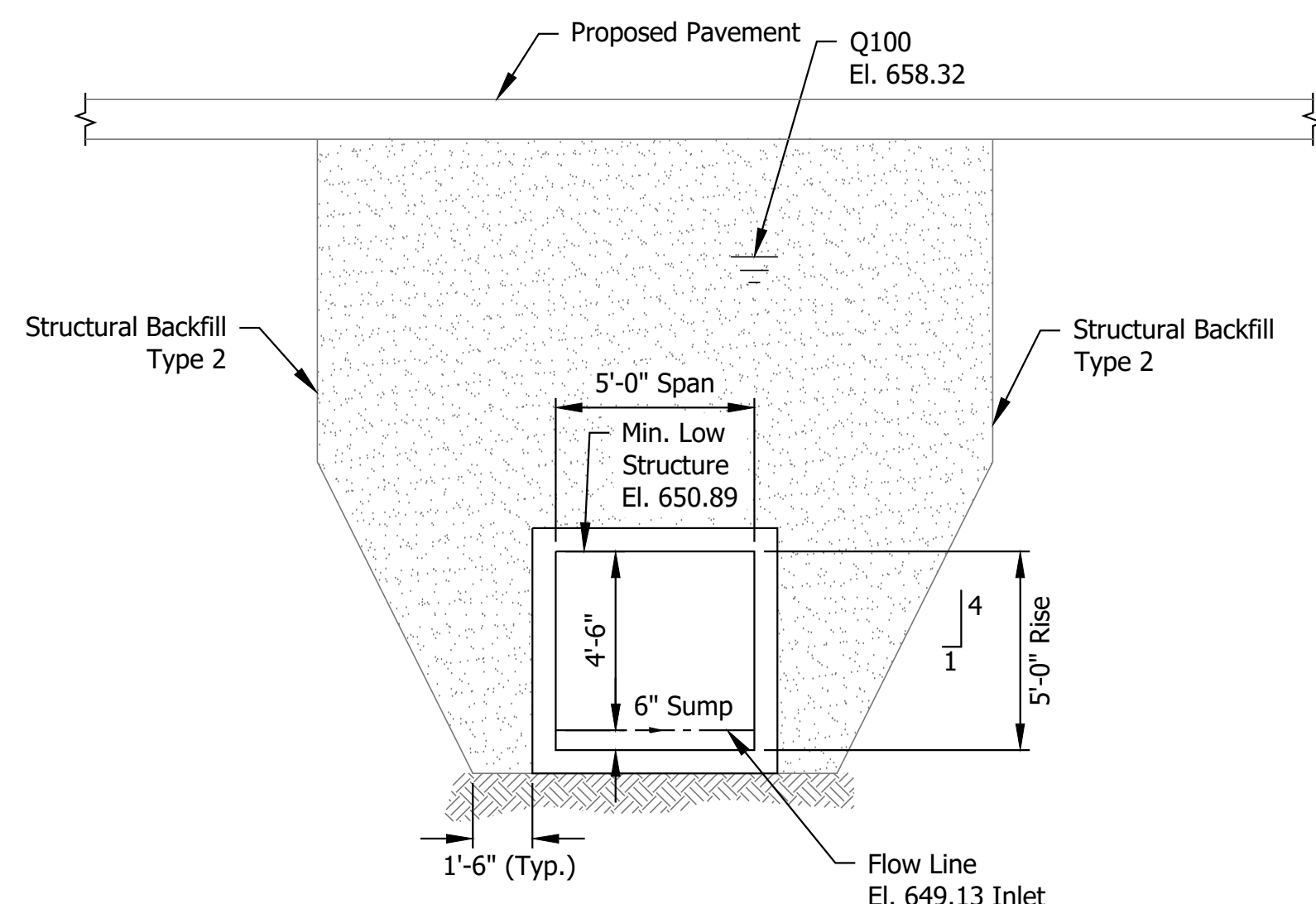
(R) QC/QA-HMA, 3, 64, Surface, 9.5mm

RECOMMENDED FOR APPROVAL	DESIGN ENGINEER	DATE
DESIGNED: EMM	DRAWN: JDJ	
CHECKED: BKA	CHECKED: BKA	

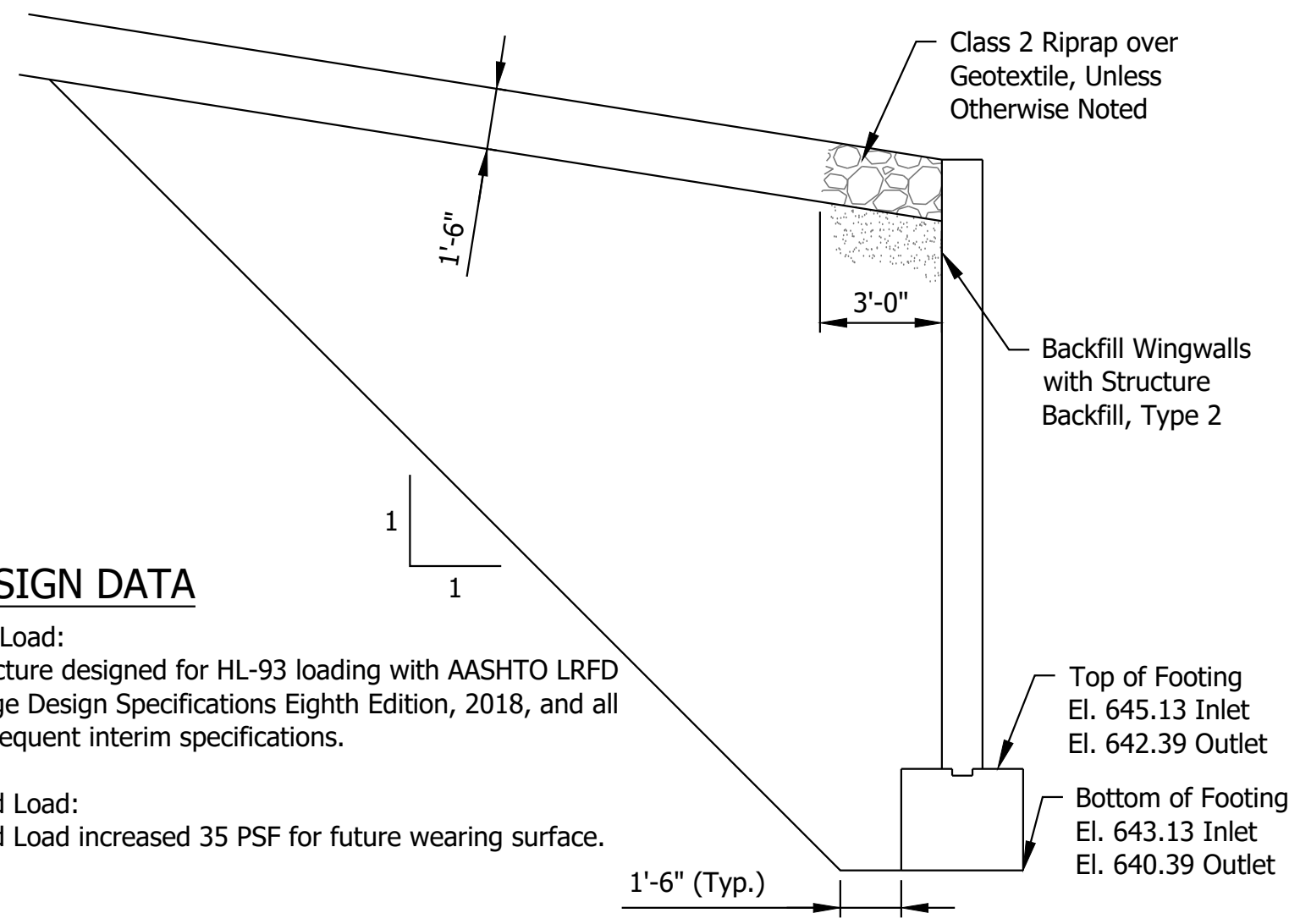
INDIANA DEPARTMENT OF TRANSPORTATION  
**PLAN AND PROFILE - LINE "A"**

HORIZONTAL SCALE	BRIDGE FILE
1" = 30'	N/A
VERTICAL SCALE	DESIGNATION
1" = 10'	1701512
SURVEY BOOK	SHEETS
ELECTRONIC	9 of 15
CONTRACT	PROJECT
B-42245	1701512

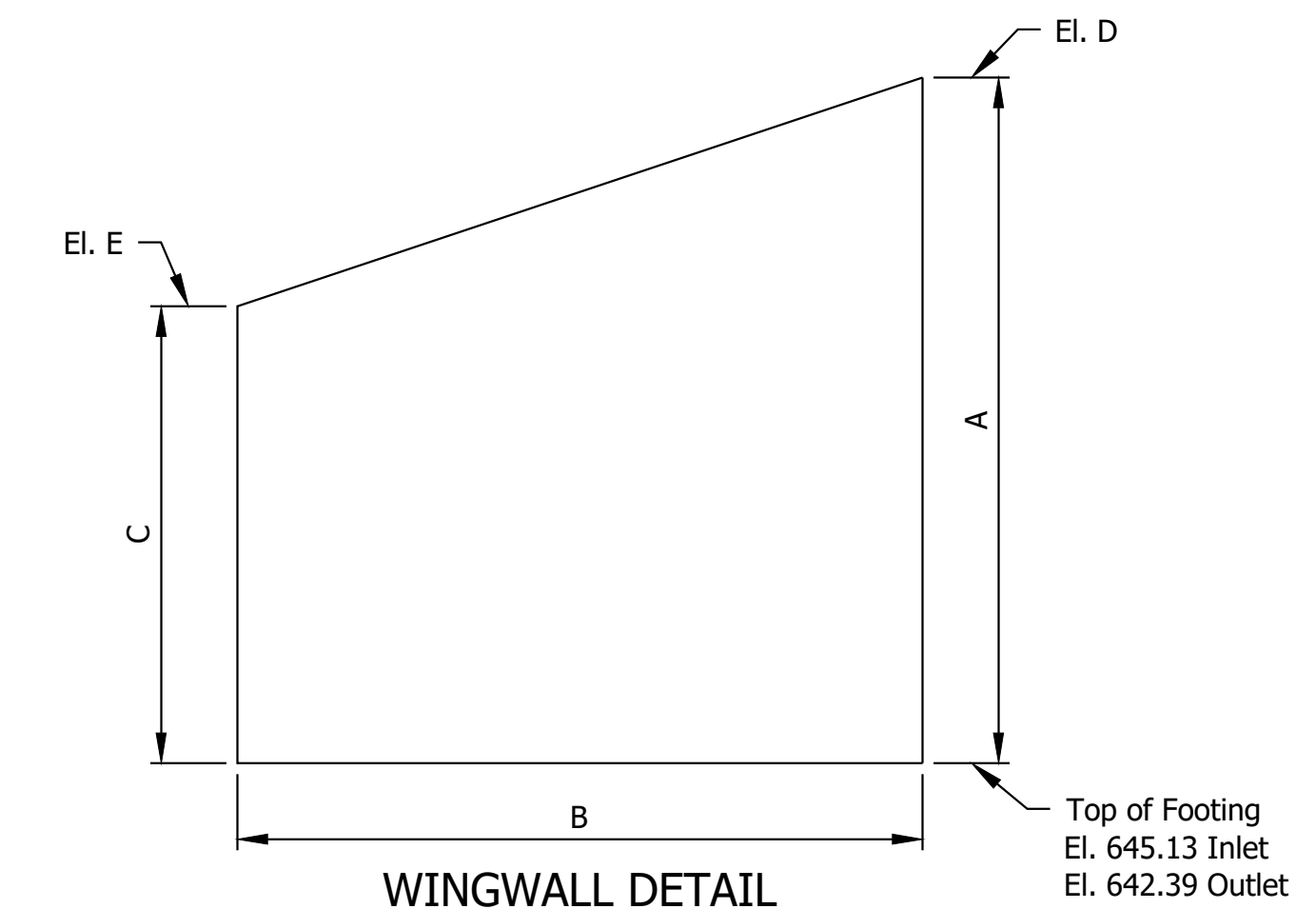
Date: Mar 13, 2020, 9:06am User Name: ENMassey File: S:\2017\1701512\1701512\Road\CAD\R&P\Plan & Profile.dwg



**BACKFILL DETAIL**  
Scale: 1/4" = 1'-0"



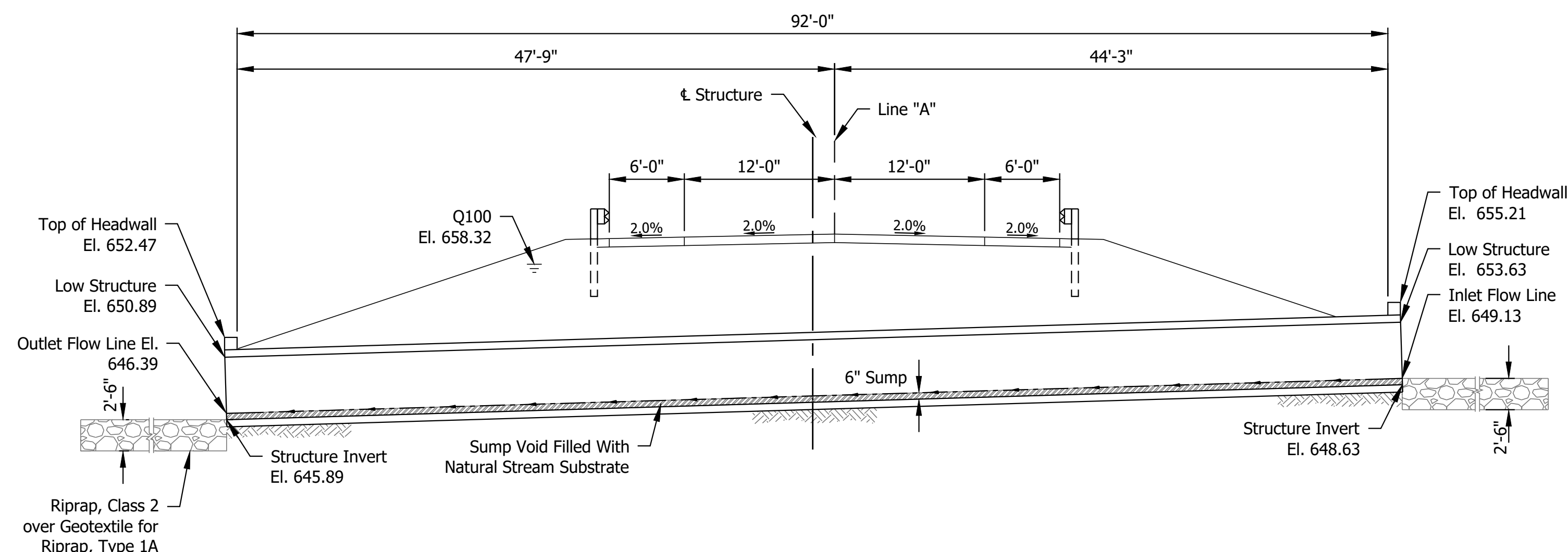
**WINGWALL BACKFILL DETAIL**  
Scale: 1/4" = 1'-0"



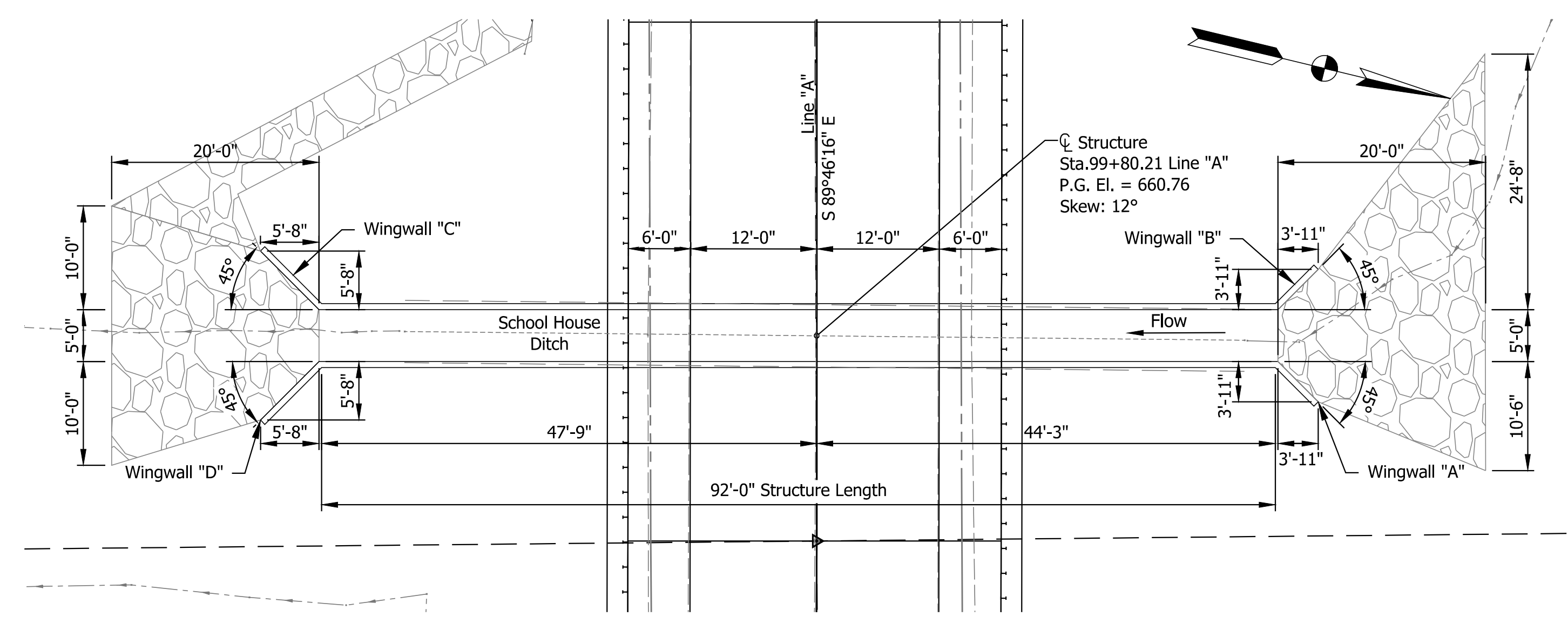
**WINGWALL DETAIL**  
Scale: 1/4" = 1'-0"

WINGWALL TABLE				
Location	Wing A	Wing B	Wing C	Wing D
Dimension A	10.08'	10.08'	10.08'	10.08'
Dimension B	5.25'	5.25'	7.75'	7.75'
Dimension C	5.80'	5.80'	6.74'	6.74'
Elevation D	655.21	655.21	652.47	652.47
Elevation E	650.93	650.93	649.13	649.13
Area (SFT)	41.67	41.67	65.16	65.16
Total (SFT) 213.67				

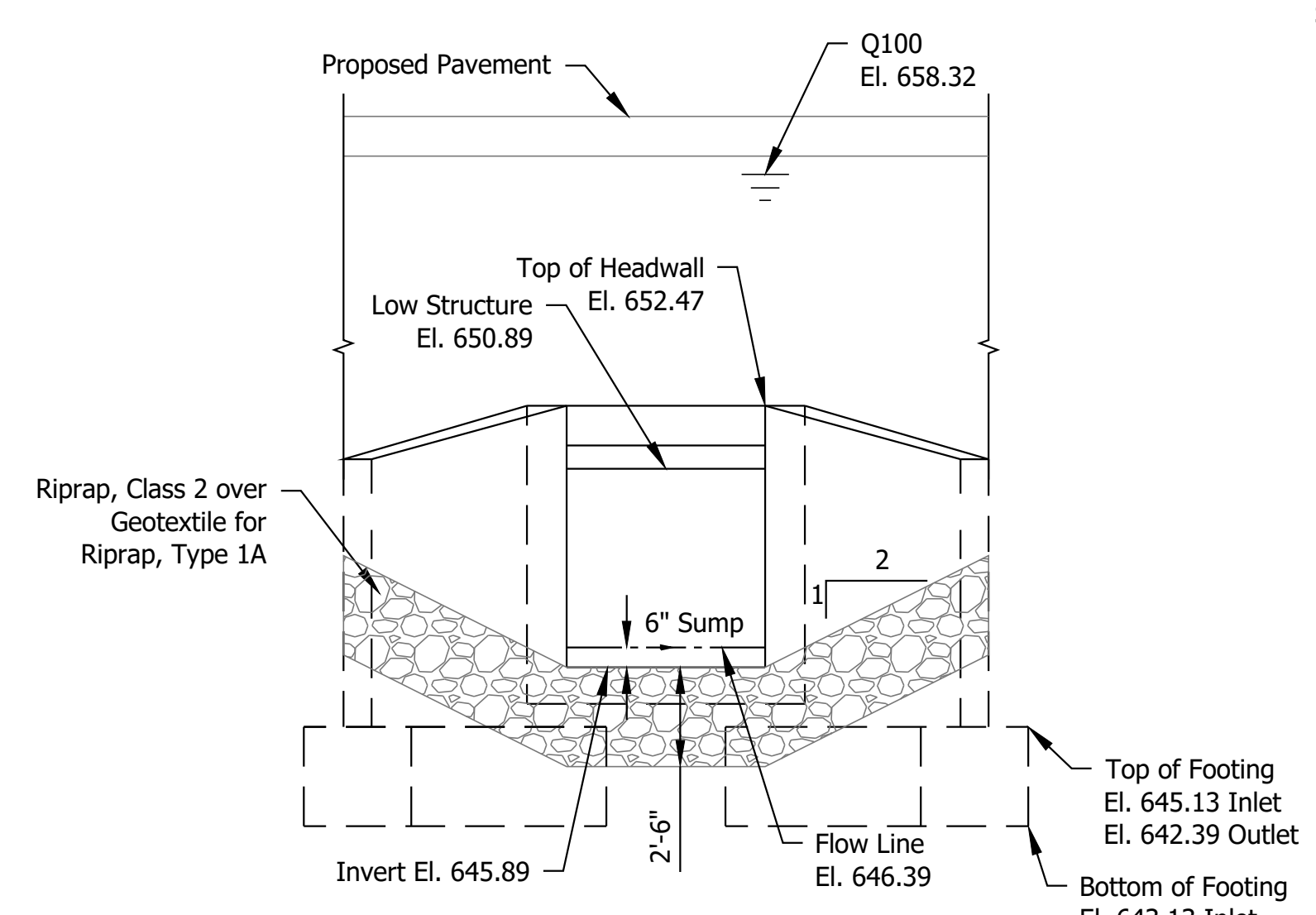
SOIL PARAMETERS FOR WINGWALL DESIGN	
Resistance Factor ( $\phi_b$ )	
Nominal Bearing Capacity ( $Q_n$ )	
Factored Bearing Resistance ( $Q_r$ )	
Angle of Friction of Backfill Material	
Friction Factor ( $\tan \delta$ ) of the Foundation Soil	
Angle of Internal Friction of the Foundation Soil ( $\phi$ )	
Soil Cohesion	
Ultimate Adhesion Between Foundation Soil and Poured Concrete Footing ( $C_a$ )	



**TYPICAL SECTION**  
Scale: 1/8" = 1'-0"



**PLAN VIEW**  
Scale: 1" = 10'



**OUTLET ELEVATION**  
Scale: 1/4" = 1'-0"

**DESIGN DATA**

Live Load:  
Structure designed for HL-93 loading with AASHTO LRFD Bridge Design Specifications Eighth Edition, 2018, and all subsequent interim specifications.

Dead Load:  
Dead Load increased 35 PSF for future wearing surface.

**GENERAL NOTES:**

- See sheet 2 for utility owners and survey reference ties.
- All R/W described from Line "A" unless noted otherwise.
- See Plan & Profile for benchmarks, approach work, incidental construction and additional details.
- Disturbed areas to be stabilized with seed mixture D. Erosion control blankets shall be installed along stream banks.
- Contractor to verify existing flowline elevation to set the appropriate sump depth.
- Box culvert to be installed on existing compacted soils. All unsuitable soils shall be removed.
- A benchmark shall be installed on the small structure headwall.
- Wingwalls are to be pre-cast concrete.
- No roadside ditches exhibiting an OHWM were observed.

**HYDRAULIC DATA:**

Drainage Area.....3.62 Sq. Mi.  
 Q100 Discharge.....240.00 CFS.  
 Q100 Elevation.....658.32 M.S.L.  
 Q100 Backwater.....2.73 Sq. Ft.  
 Q100 Velocity.....10.60 Ft./Sec.  
 Proposed Gross Waterway Opening  
 Below Q100 Elevation (Structure).....20.00 SFT.  
 Water Opening Over Road.....0 SFT.  
 Minimum Low Structure  
 Elevation Provided.....650.89 M.S.L.  
 Skew.....12.0° Rt.  
 Existing Gross Waterway Opening  
 Below Q100 Elevation (Structure).....18.36 SFT.  
 Existing Q100 Backwater.....4.95 Ft.

CV 114-037-21.00  
 PRECAST REINFORCED CONCRETE  
 BOX STRUCTURE  
 SPAN: 5'-0"; RISE: 5'-0"  
 24'-0" CLEAR ROADWAY, NO SKEW  
 ALONG SR 114  
 JASPER COUNTY

Date: Mar 13, 2020, 9:07am User Name: Etkessey  
 File: S:\2017\217-0372\_L\W\Road\CAD\Misc\DWG\Structure\_Details.dwg

RECOMMENDED FOR APPROVAL	DESIGN ENGINEER	DATE
DESIGNED: EMM	DRAWN: NCG	
CHECKED: BKA	CHECKED: BKA	

INDIANA  
 DEPARTMENT OF TRANSPORTATION

STRUCTURE DETAILS

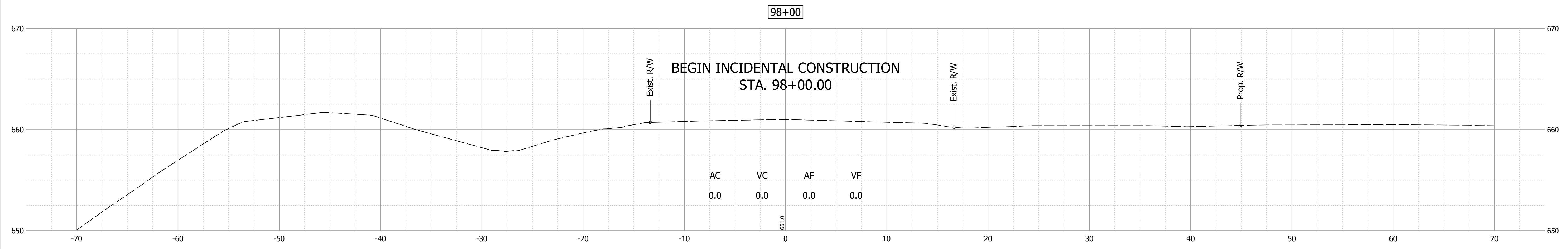
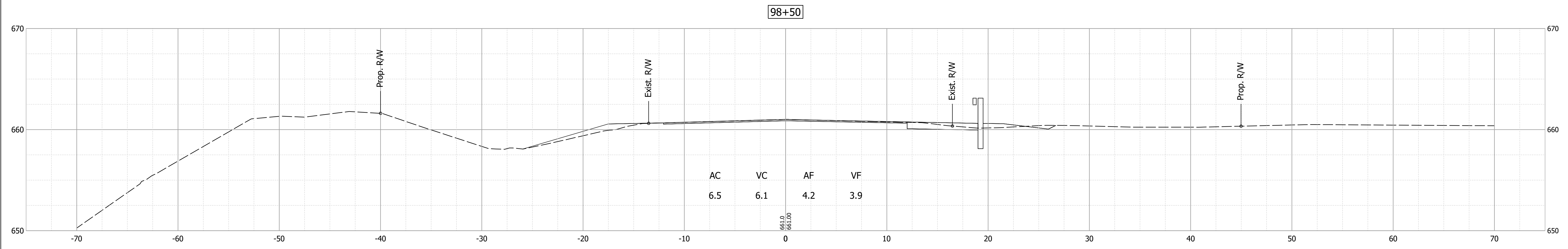
HORIZONTAL SCALE	BRIDGE FILE
N/A	N/A
VERTICAL SCALE	DESIGNATION
N/A	1701512
SURVEY BOOK	SHEETS
ELECTRONIC	10 of 15
CONTRACT	PROJECT
B-42245	1701512

PAVEMENT QUANTITIES AND APPROACH TABLE																																										
LOCATION	DESCRIPTION (APPROACH TYPE OR CLASS)	WIDTH	LENGTH	RADII	DISTANCE BEYOND R/W LINE	SURFACE BEYOND R/W LINE			GRADE	EXCAVATION	CLEAR ZONE AT DRIVE	HMA FOR APPROACHES				HMA MATERIALS				HMA BASE 25 mm	SEAL COAT TYPE 2	SEAL COAT TYPE 5	HMA MATERIAL FOR:		COMPACTED AGGREGATE FOR BASE NO. 53				COMPACTED AGGREGATE FOR SURFACE NO. 73				REMARKS									
						COMPACTED AGGREGATE BASE	HMA	CONCRETE				LBS. PER SYD.				LBS. PER SYD.							PRIME COAT	TACK COAT	DEPTH				DEPTH													
												1	2	3	4	CUT	FILL	SURFACE 9.5 mm	INTERMD. 19.0 mm						BASE 25.0 mm	TONS	SYS	SYS	SYS	SYS	SYS	SYS		SYS	SYS	SYS	SYS	SYS	SYS	SYS	SYS	SYS
												%	%	%	%	CYS	CYS																									
SR 114																																										
98+42.75 to 98+74.00	Mainline	30	31.25																																							
98+74.00 to 99+50.00	Mainline	36	76.00																																							
99+50.00 to 100+00.00	Mainline	36	50.00																																							
100+00.00 to 100+95.75	Mainline	36	92.75																																							
100+95.75 to 101+17.75	Mainline	30	25.00																																							

STRUCTURE DATA																																																	
STRUCTURE NUMBER	LOCATION				SIZE	DESCRIPTION MANHOLE, INLET, CATCH BASIN, OR SPECIALTY STRUCTURE AND TYPE	LENGTH	VIDEO INSPECTION LENGTH	SKEW	COVER		FLOW LINE		SUMP DEPTH	TOP OF CASTING	SERVICE LIFE	SITE DESIGNATION	PH	BACKFILL METHOD	STRUCTURE BACKFILL TYPE ??	STRUCTURE BACKFILL TYPE ??	FLOWABLE BACKFILL TYPE ??	FLOWABLE BACKFILL TYPE ??	UNDERCUT				SCOUR PROTECTION			CONCRETE, CLASS A, FOR STR.	PIPE, REMOVE	VIDEO INSPECTION	PIPE END SECTION	GRATED BOX END SECTION			SAFETY METAL END SECTION			CONNECT TO STR.	CULVERT ASSET ID	REMARKS						
	STATION	LEFT	RIGHT	CROSS OFFSET						PIPE TYPE	MIN	MAX	UP STREAM											DOWN STREAM	EXCAVATION	COMPACTED AGGREGATE #5 ? IN.	COMPACTED AGGREGATE #53 ? IN.	GEOTEXTILES for ???? TYPE?? (?)	GEOTEXTILES for RIPRAP TYPE?? (??)	RETMET RIPRAP					GEOTEXTILES for RIPRAP TYPE?? (??)	RETMET RIPRAP (??)	CLASS ? RIPRAP	TYPE	SLOPE	EA.				TYPE	SLOPE	EA.	TYPE	SLOPE	EA.
1	99+80.21		X		5'X5'	Reinforced Concrete Box Section	92.0		0																																								

Date: Mar 13, 2020, 9:07am User Name: EMassey  
File: S:\\_2017\171-0372\_L\171\Road\CAD\Misc\DWG\Road\_Summary.dwg

RECOMMENDED FOR APPROVAL _____ DESIGN ENGINEER _____ DATE ____/____/____	INDIANA DEPARTMENT OF TRANSPORTATION	HORIZONTAL SCALE N/A	BRIDGE FILE N/A
DESIGNED: EMM DRAWN: JDT	INDEX AND GENERAL NOTES	VERTICAL SCALE N/A	DESIGNATION 1701512
CHECKED: BKA CHECKED: BKA		SURVEY BOOK ELECTRONIC	SHEETS 11 of 15
		CONTRACT B-42245	PROJECT 1701512



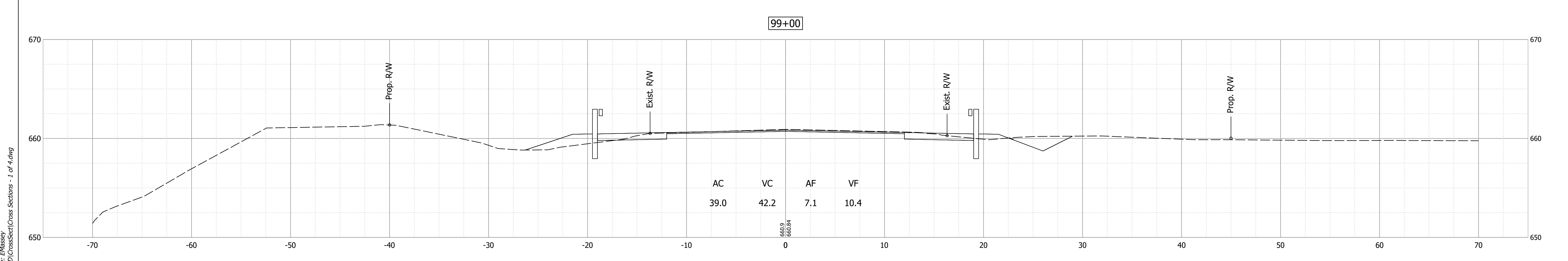
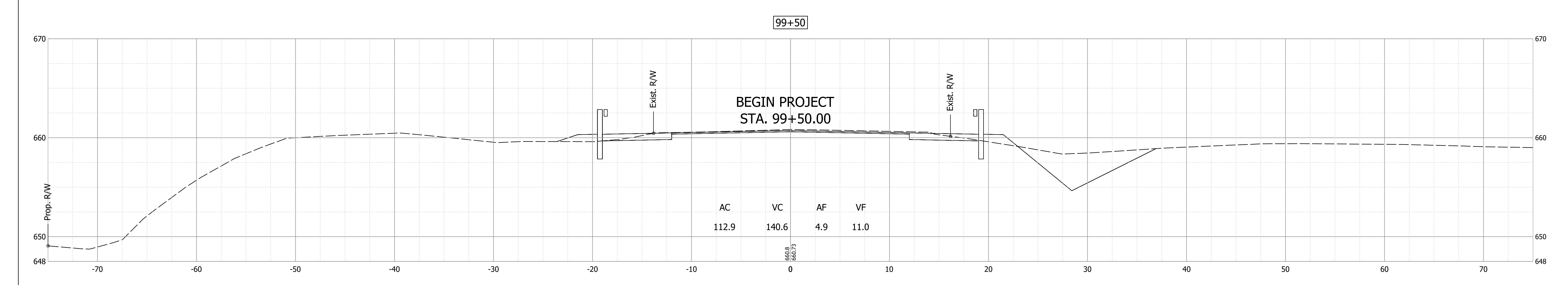
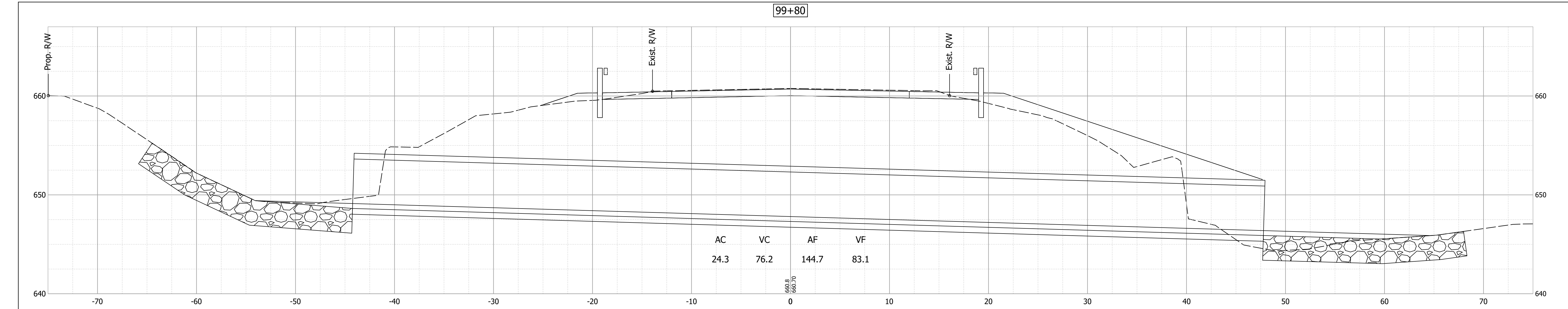
Date: Mar 13, 2020, 9:08am User Name: EMassey File: S:\2017\170372\170372\Road\CAD\CrossSect\CrossSect\Cross Sections - 1 of 4.dwg

RECOMMENDED FOR APPROVAL _____	DESIGN ENGINEER _____	DATE --/--
DESIGNED: EMM	DRAWN: JDT	
CHECKED: BKA	CHECKED: BKA	

**INDIANA  
DEPARTMENT OF TRANSPORTATION**

**CROSS SECTIONS - LINE "A"**

HORIZONTAL SCALE	BRIDGE FILE
1" = 5'	N/A
VERTICAL SCALE	DESIGNATION
1" = 5'	1701512
SURVEY BOOK	SHEET
ELECTRONIC	12 of 15
CONTRACT	PROJECT
B-42245	1701512



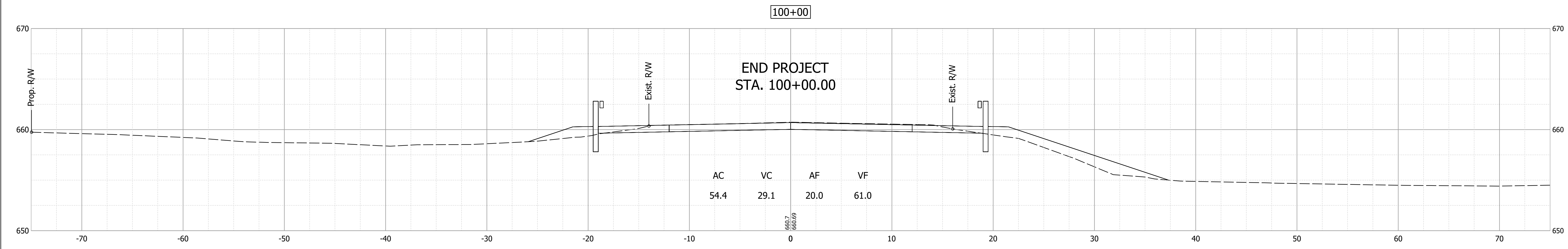
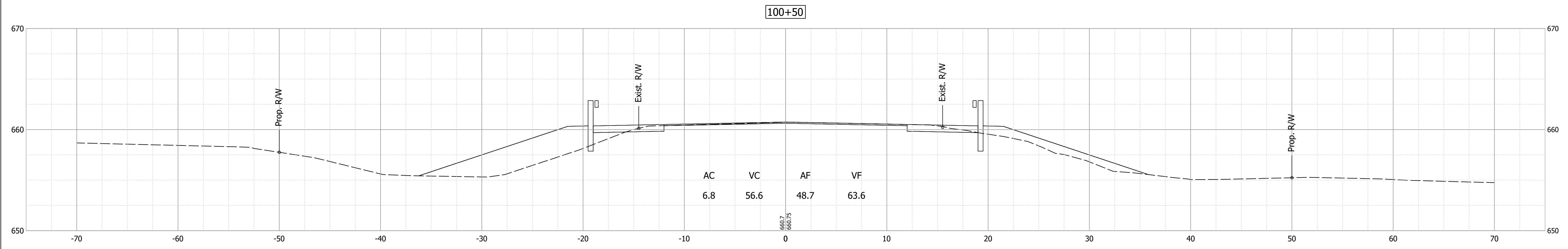
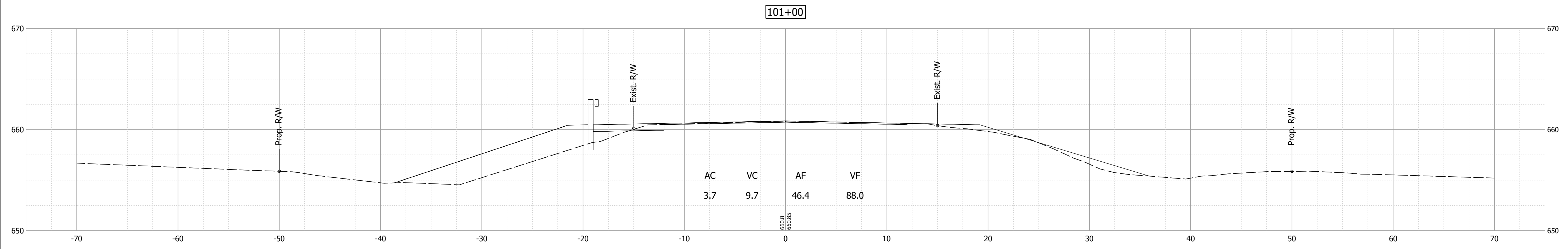
Date: Mar 13, 2020, 9:08am User Name: EMassey  
File: S:\\_2017\17103721\_VFM\Road\CAD\CrossSect\Cross Sections - 1 of 4.dwg

RECOMMENDED FOR APPROVAL	DESIGN ENGINEER	DATE
DESIGNED: EMM	DRAWN: JDT	
CHECKED: BKA	CHECKED: BKA	

**INDIANA  
DEPARTMENT OF TRANSPORTATION**

**CROSS SECTIONS - LINE "A"**

HORIZONTAL SCALE	BRIDGE FILE
1" = 5'	N/A
VERTICAL SCALE	DESIGNATION
1" = 5'	1701512
SURVEY BOOK	SHEET
ELECTRONIC	13 of 15
CONTRACT	PROJECT
B-42245	1701512



Date: Mar 13, 2020 9:08am User Name: EMassey  
File: S:\2017\17103721\_VFM\Road\CAD\CrossSect\CrossSections - 1 of 4.dwg

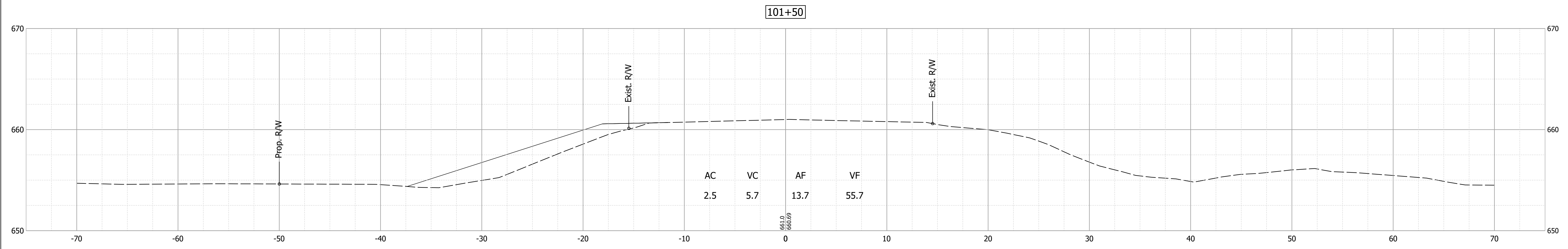
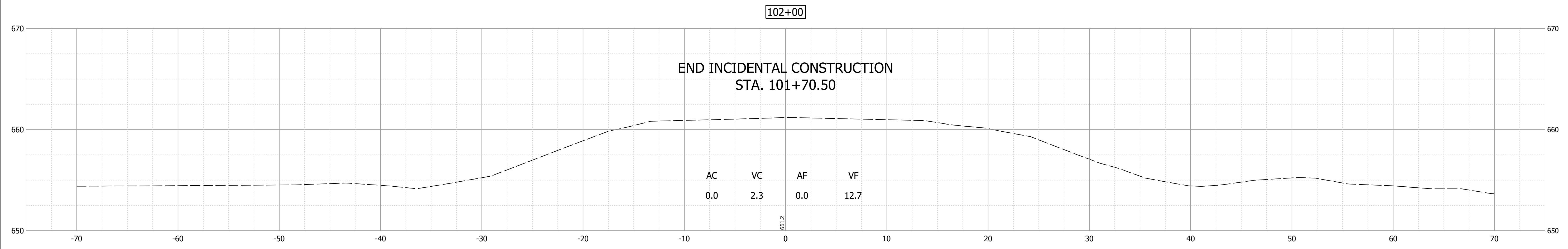
RECOMMENDED FOR APPROVAL	DESIGN ENGINEER	DATE
EMM	JDT	
BKA	BKA	

**INDIANA  
DEPARTMENT OF TRANSPORTATION**

**CROSS SECTIONS - LINE "A"**

HORIZONTAL SCALE	BRIDGE FILE
1" = 5'	N/A
VERTICAL SCALE	DESIGNATION
1" = 5'	1701512
SURVEY BOOK	SHEET
ELECTRONIC	14 of 15
CONTRACT	PROJECT
B-42245	1701512

Date: Mar 13, 2020, 9:08am User Name: EMassey  
 File: S:\\_2017\17103721\_VI\Road\CAD\CrossSect\CrossSections - 1 of 4.dwg



RECOMMENDED FOR APPROVAL _____	DESIGN ENGINEER _____	DATE --/--
DESIGNED: EMM	DRAWN: JDT	
CHECKED: BKA	CHECKED: BKA	

**INDIANA  
DEPARTMENT OF TRANSPORTATION**

**CROSS SECTIONS - LINE "A"**

HORIZONTAL SCALE	BRIDGE FILE
1" = 5'	N/A
VERTICAL SCALE	DESIGNATION
1" = 5'	1701512
SURVEY BOOK	SHEET
ELECTRONIC	15 of 15
CONTRACT	PROJECT
B-42245	1701512